

**PLEASE CHECK WWW.MOLEX.COM FOR LATEST PART INFORMATION**

**Part Number:** [0584740001](#)  
**Status:** **Active**  
**Description:** HMC™ Rectangular Industrial Wire-to-Wire Bracket Cover, 40 Circuit, External Thread, PG29, for Small Plug

**Documents:**

[Drawing \(PDF\)](#) [RoHS Certificate of Compliance \(PDF\)](#)  
[Product Specification PS-54478-001 \(PDF\)](#)

**Agency Certification**

TUV R72081037

**General**

Product Family	I/O Connectors
Series	<a href="#">58474</a>
Application	Wire-to-Wire
Component Type	Wire-to-Wire Bracket Cover
Product Name	HMC™
Type	N/A

**Physical**

Circuits (Loaded)	40
Lock to Mating Part	Yes
Material - Plating Mating	n/a
Orientation	Vertical
Packaging Type	Bag
Panel Mount	N/A
Pitch - Mating Interface (in)	0.000 In
Pitch - Mating Interface (mm)	0.00 mm
Polarized to Mating Part	Yes
Temperature Range - Operating	-40°C to +125°C
Termination Interface: Style	N/A
Waterproof / Dustproof	Yes
Waterproof / Dustproof Type	IP65

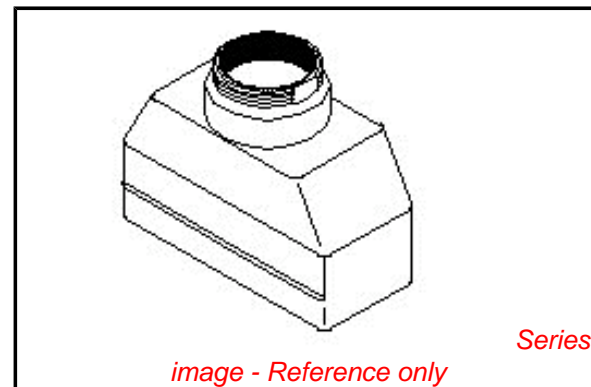
**Electrical**

Current - Maximum per Contact N/A

**Material Info**

**Reference - Drawing Numbers**

Product Specification	PS-54478-001
Sales Drawing	SD-58474-002



**EU RoHS**

**ELV and RoHS  
Compliant**  
**REACH SVHC  
Not Reviewed**  
**Halogen-Free  
Status  
Not Reviewed**

**China RoHS**



**Need more information on product environmental compliance?**

Email [productcompliance@molex.com](mailto:productcompliance@molex.com)  
 For a multiple part number RoHS Certificate of Compliance, [click here](#)

Please visit the [Contact Us](#) section for any non-product compliance questions.

**Search Parts in this Series**

[58474Series](#)

**Mates With**

[58462-1011 hood](#), [58461-0011 hood](#),  
[58461-1011 hood](#), [58462-0011hood](#)

**Use With**

[58783-0011](#) panel-mount bracket

**PLEASE CHECK WWW.MOLEX.COM FOR LATEST PART INFORMATION**

10 9 8 7 6 5 4 3 2 1

F

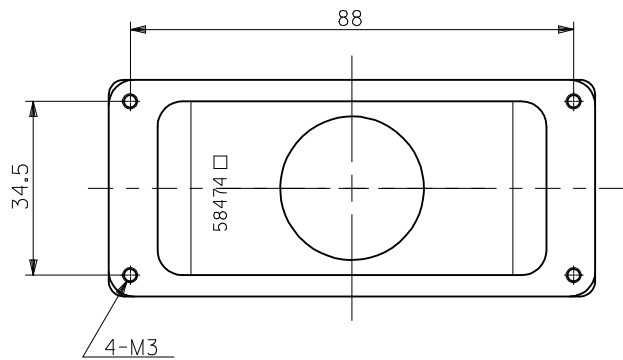
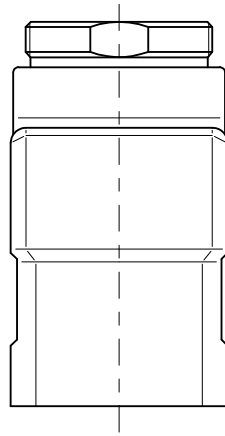
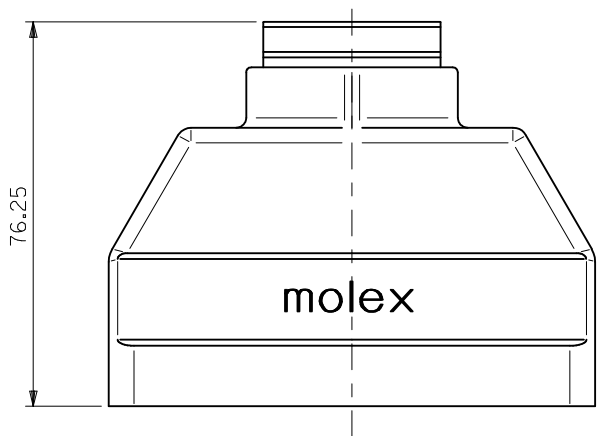
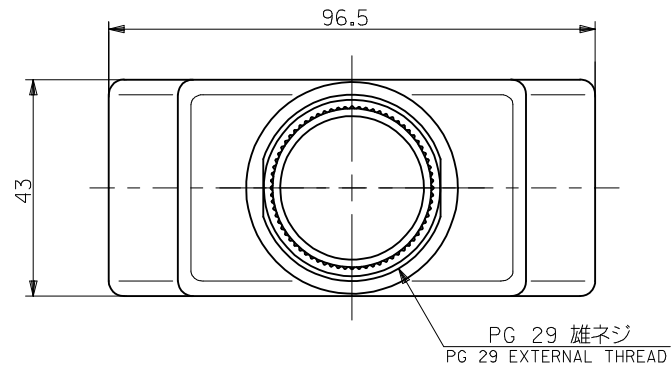
E

D

C

B

A



注)  
NOTES

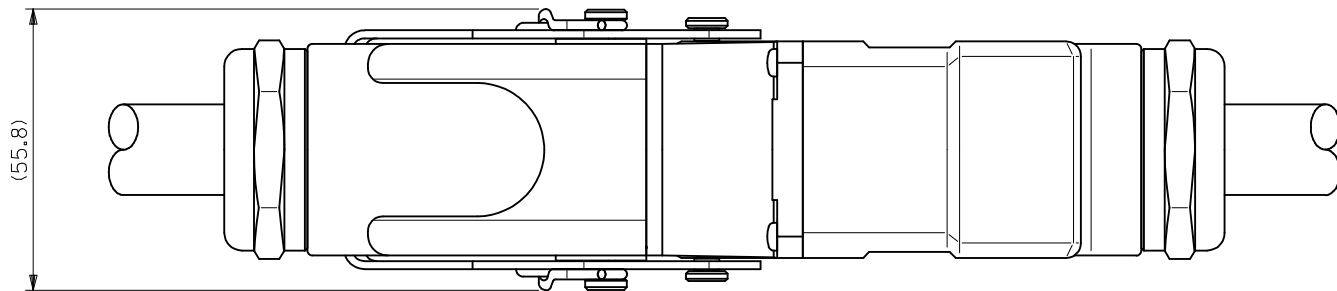
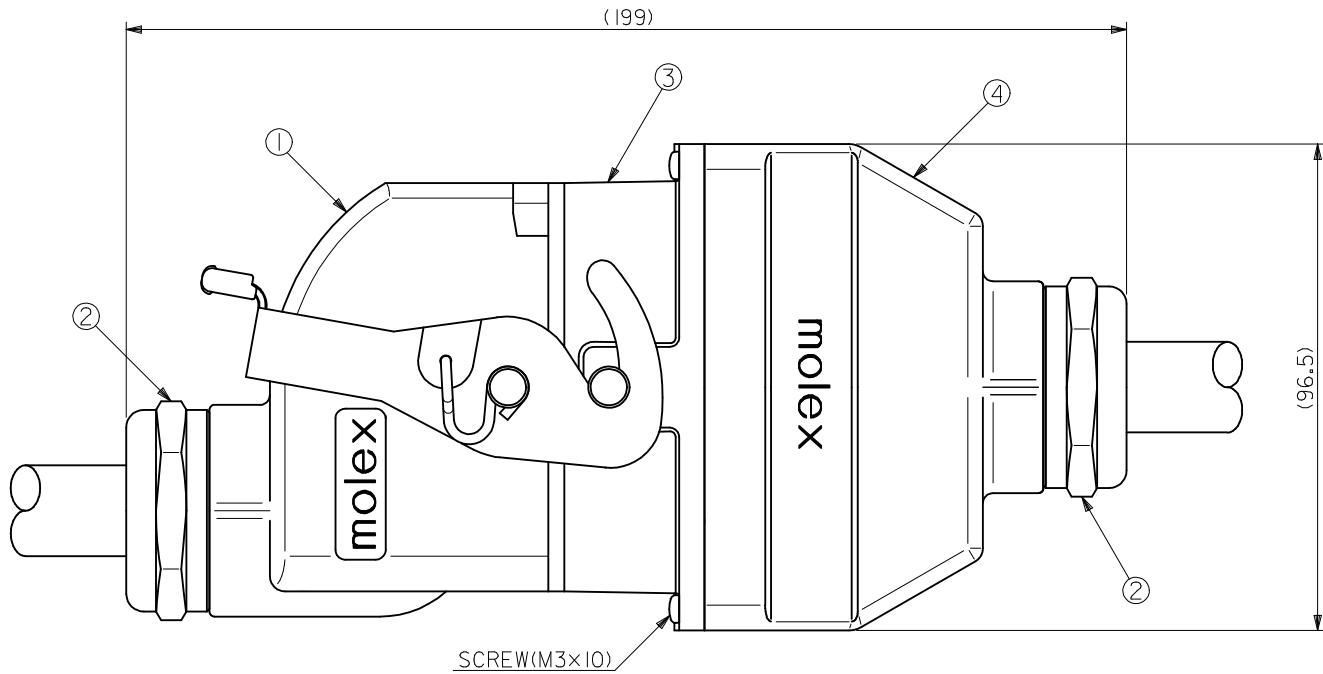
- 適用リセプタクルシェルアッセンブリ : 58783-0011  
APPLICABLE RECEPTACLE SHELL ASS'Y : 58783-0011
- 適用エンドベルキャップセット : 58550-\*\*\*\*  
APPLICABLE END BELL CAP SET : 58550-\*\*\*\*
- 適用取り付けねじ (リセプタクルシェルアッセンブリ) : M3×10  
APPLICABLE SCREW (RECEPTACLE SHELL ASS'Y) : M3×10

58474-0001

製品番号  
ENG. NO.

REVISED EC NO: J2009-1217 DRWN: YOSHIDAM 2008/12/15 CHKD: THARUYAMA 2008/12/15 APPR: NUKITA 2008/12/16	GENERAL TOLERANCES (UNLESS SPECIFIED)		DIMENSION STYLE MM ONLY	SCALE 1:1	DESIGN UNITS METRIC	THIRD ANGLE PROJECTION
	10 UNDER	±0.2	DRAWN BY J. MIYAZAWA	DATE	TITLE	ROBOT CONN. WIRE TO WIRE TYPE SMALL COVER (EXTERNAL THREAD TYPE)
	10 OVER 30 UNDER	±0.25	CHECKED BY Y. ITO	DATE	MOLEX INCORPORATED	
	30 OVER	±0.3	APPROVED BY H. IKESUGI	DATE	DOCUMENT NO.	SHEET NO.
ANGULAR ±3 °	DRAFT WHERE APPLICABLE MUST REMAIN WITHIN DIMENSIONS	SEE TABLE	SD-58474-002		1 OF 2	
THIS DRAWING CONTAINS INFORMATION THAT IS PROPRIETARY TO MOLEX INCORPORATED AND SHOULD NOT BE USED WITHOUT WRITTEN PERMISSION						

10 9 8 7 6 5 4 3 2 1



SCREW(M3x10)

部番 NO.	製品番号 ENG. NUMBER	製品名称 NAME
①	58462-0011	スモール プラグ カバー アッセンブリ SMALL PLUG COVER ASS'Y
②	58550-****	エンド ベル キャップ セット END BELL CAP SET
③	58783-0011	スモール リセプタクル シェル アッセンブリ SMALL RECEPTACLE SHELL ASS'Y
④	58474-0001	中継タイプ スモール カバー WIRE TO WIRE TYPE SMALL COVER

REVISED  
 EC NO: J2009-1217  
 DRWN: YOSHIDAM 2008/12/15  
 CHKD: THARUYAMA 2008/12/15  
 APPR: NUKITA 2008/12/16

GENERAL TOLERANCES (UNLESS SPECIFIED)	
10 UNDER	±---
10 OVER 30 UNDER	±---
30 OVER	±---
ANGULAR	±---°
DRAFT WHERE APPLICABLE MUST REMAIN WITHIN DIMENSIONS	

DIMENSION STYLE MM ONLY	
DRAWN BY	DATE
CHECKED BY	DATE
APPROVED BY	DATE
MATERIAL NO.	
SEE TABLE	
SIZE	A3

SCALE	DESIGN UNITS	THIRD ANGLE PROJECTION
1:1	METRIC	
TITLE		
ROBOT CONN. WIRE TO WIRE TYPE MATED CONNECTORS (EXTERNAL THREAD TYPE)		
MOLEX INCORPORATED		
DOCUMENT NO.	SHEET NO.	
SD-58474-002	2 OF 2	
THIS DRAWING CONTAINS INFORMATION THAT IS PROPRIETARY TO MOLEX INCORPORATED AND SHOULD NOT BE USED WITHOUT WRITTEN PERMISSION		